

## snacks making machine

### Advantages of choosing our snack making machine:

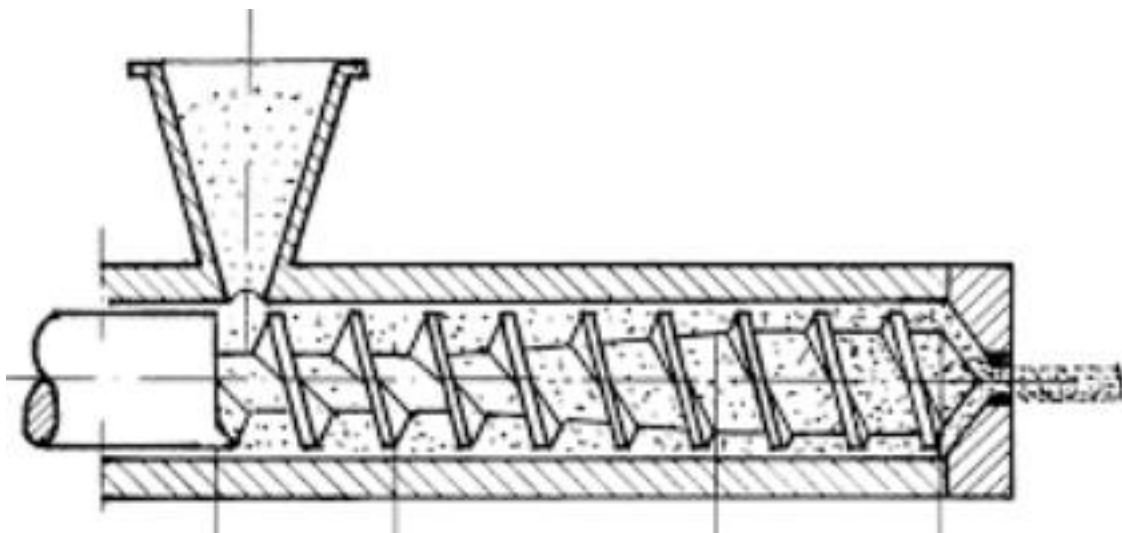
**Low cost :** Can use a wide range of raw materials, wheat flour and beans, so the snack making machine is also known as the wheat snack food machine. (wheat snacks food machine) .

**High profit :** You can get high returns. At present, the expanded snack product market is broad .Puffed snacks are gaining popularity among more and more people. You can make a high profit from this business.

**To meet the needs of different customers, according to different output, twin-screw extruder can be divided into the following:**

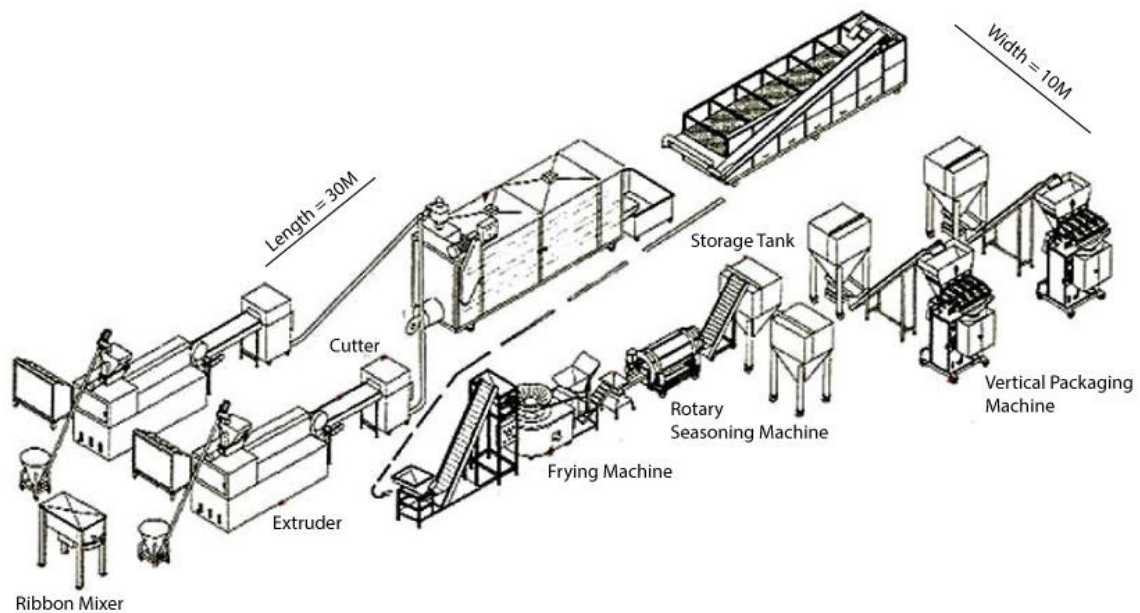
type	DL56-III	DL65-II	DL70-II	DL85-II	DL32-II
full title	Twin screw extruder				
line item	Three line four kind ( 2 firing line 1 null line 1baseline )				
operation	Press the knob manually	Press the knob manually	Press the knob manually	Press the knob manually	lcd touch-sensitive screen
supply voltage	380V/50HZ ( Other supply voltage can be customized )				
installed power	35KW	46KW	46KW	90KW	10KW
power consumption	25KW	30KW	30KW	55KW	7KW
production capacity	120-150Kg/h	150-180Kg/h	200-260Kg/h	300-500Kg/h	10-15Kg/h
size dimension	2.5×0.8×1.8 m	3.2×1.0×2m	3.2×1.0×2m	4.5×1.2×2.4 m	21×0.65×1.6 m
stainless steel thickness	1.2mm				
the screw material	38CrMoAL/38				
the screw material	1050mm	1520mm	1520mm	1563mm	mm

the screw diameter	65mm	65mm	70mm	85mm	30mm
motor power	22kw	30kw	30kw	55kw	5.5kw
heating power	2*5kw 10kw	10kw	12kw	16kw	kw
feeding power	0.75KW	0.75kw	0.75kw	1.5kw	kw
rotary cutting power	0.75KW	0.75kw	0.75kw	1.5kw	kw
oil pump power	0.37kw				0.12kw
water circulation	can be customized				standard configuration
<p>This machine is composed of feeding system, extruding system, rotary cutting system, heating system, driving system and control system. It adopts advanced screw extruding technology and uses high temperature and high pressure to mature and extrude the material, all at once. The main machine adopts frequency conversion speed regulation to ensure the stability of the production process. Products of various colors and varieties, beautiful appearance, natural, realistic and exquisite texture, wide use of raw materials.</p>					



We have in our stores highly performing and durable array of Making Machines, which finds extensive usage in snack industry. These are fabricated using quality assured raw material, which are sourced from eminent vendors of the nation. Precisely manufactured using advanced techniques, these machines are appreciated for making the in various shapes and design. Further, the range is tested on parameters like performance, durability, corrosion resistance, and many more so as to ensure delivery of only flawless products at client's destination.

We offer a wide range of Snacks Making Machines, which is manufactured using quality raw material in accordance with industry defined standards. Manufactured with utmost automation, this extrusion snack production line can produce twice puffed snacks in different shapes. Highly popular at the market such as chocolate-filling snack bar, crisp rice, prawn cracker and other, these can be availed at economical prices. Offered in standard and custom designs.



As one of the professional snack making machine manufacturers, our machines have been exported to many countries: Algeria, Egypt, Russia, Ukraine, Australia, Argentina, Brazil, Saudi Arabia, Libya, Syria and so on. All our customers speak highly of our machines and services and we look forward to working with you.