

Double screw snack food processing line

Tips for selecting reliable snack food processor manufacturers.

When you plan to invest in the puffed snack industry, you need to find a reliable manufacturer to purchase puffed food processing equipment. Here, our leader microwave equipment company is **sending you our proposal for selecting reliable manufacturer:**

Snack molding machine price:

The right price can guarantee the quality of the machine. Therefore, reliable manufacturers set prices based on manufacturing costs and market prices for puffed snack makers. All our customers agree that the double screw food production line of Leader Machinery is reasonable in price, and the quality is satisfactory. You can rest assured to purchase our corn snack food Machinery.

successful case:

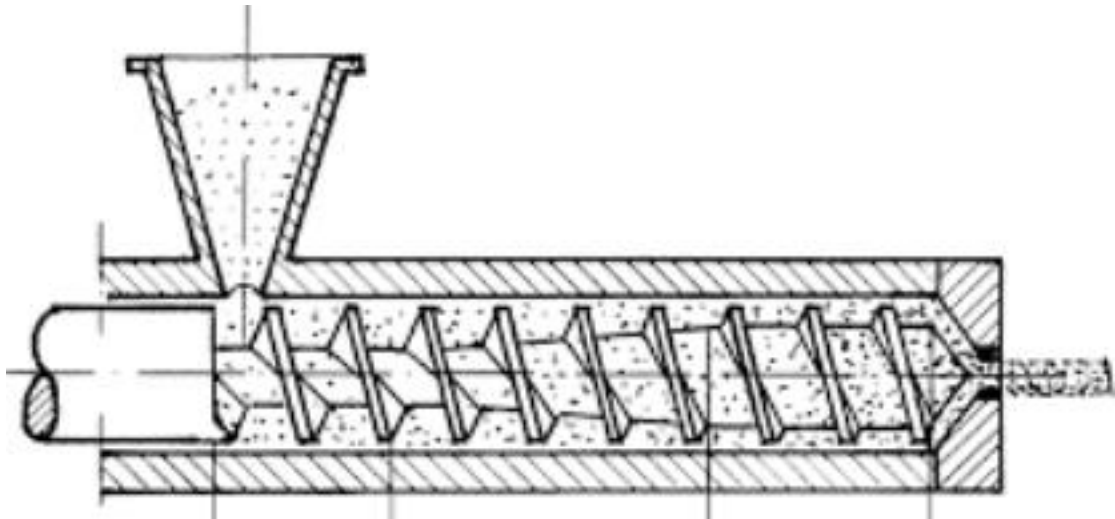
The case can show the integrated strength of the equipment manufacturer of the twin-screw snack food processing line. If they have many successful cases, they are worth to cooperate.

			
DL56-III Double screw snack food processor	DL65-II Double screw snack food processor	DL70-II Double screw snack food processor	DL85-II Double screw snack food processor

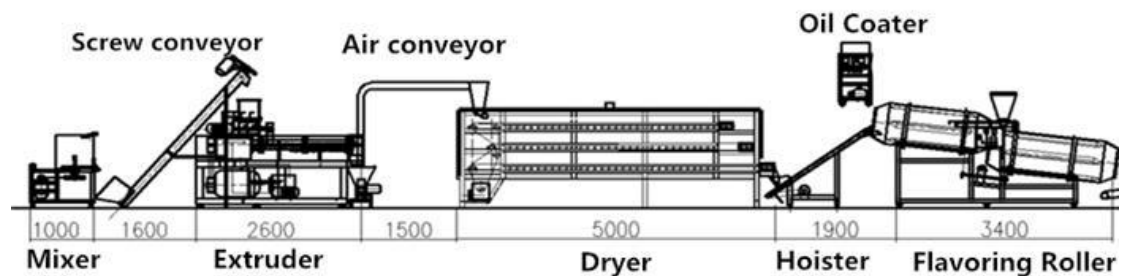
product specification:

type	DL56-III	DL65-II	DL70-II	DL85-II	DL32-II
name	Twin screw extruder for food processing				
full title	Three line four item (2 fire wire 1null line 1baseline)				
line item	Three line four item (2 fire wire 1null line 1baseline)				
operation	Press the knob manually	Press the knob manually	Press the knob manually	Press the knob manually	lcd touch-sensitive screen
supply	380V/50HZ (Other supply voltage can be customized)				

voltage					
installed power	35KW	46KW	46KW	90KW	10KW
power consumption	25KW	30KW	30KW	55KW	7KW
production capacity	120-150Kg/h	150-180Kg/h	200-260Kg/h	300-500Kg/h	10-15Kg/h
size dimension	2.5×0.8×1.8m	3.2×1.0×2m	3.2×1.0×2m	4.5×1.2×2.4m	21×0.65×1.6m
stainless steel thickness	1.2mm				
the screw material	38CrMoAL/38				
the screw length	1050mm	1520mm	1520mm	1563mm	mm
the screw diameter	65mm	65mm	70mm	85mm	30mm
motor power	22kw	30kw	30kw	55kw	5.5kw
heating power	2*5kw 10kw	10kw	12kw	16kw	kw
feeding power	0.75KW	0.75kw	0.75kw	1.5kw	kw
rotary cutting power	0.75KW	0.75kw	0.75kw	1.5kw	kw
oil pump power	0.37kw				0.12kw
water circulation	can be customize				standard configuration
<p>This machine is composed of feeding system, extrusion system, rotary cutting system, heating system, driving system and control system. Adopting advanced screw extruding technology, using high temperature and high pressure, the material is matured and puffed into shape, which is completed in one time. The main machine adopts frequency conversion speed regulation to ensure the stability of the production process. Products of various colors and varieties, beautiful appearance, natural, realistic and exquisite texture, wide use of raw materials.</p>					



In-line or off-line screeners are often used during the raw ingredient transfer process for the removal of foreign materials prior to the introduction of the bulk material into the conveying line. Screeners can also be integrated directly into the conveying line for additional conditioning of the ingredient powder. This sifting method is also often used at the end of the process for the proper scaling/ sizing of the finished product prior to packaging. Sifters and screeners are an integral part of the overall material handling system for reliable product quality and safety.



We've listed the main factors you should consider when buying snack puffing equipment. Maybe you will choose the machine from other aspects. Welcome to inquire about the price of puffed food equipment.

Choosing Leader Machinery puffed snack factory with rich export and installation experience. If you need, we will arrange professional engineers to help you complete the installation.